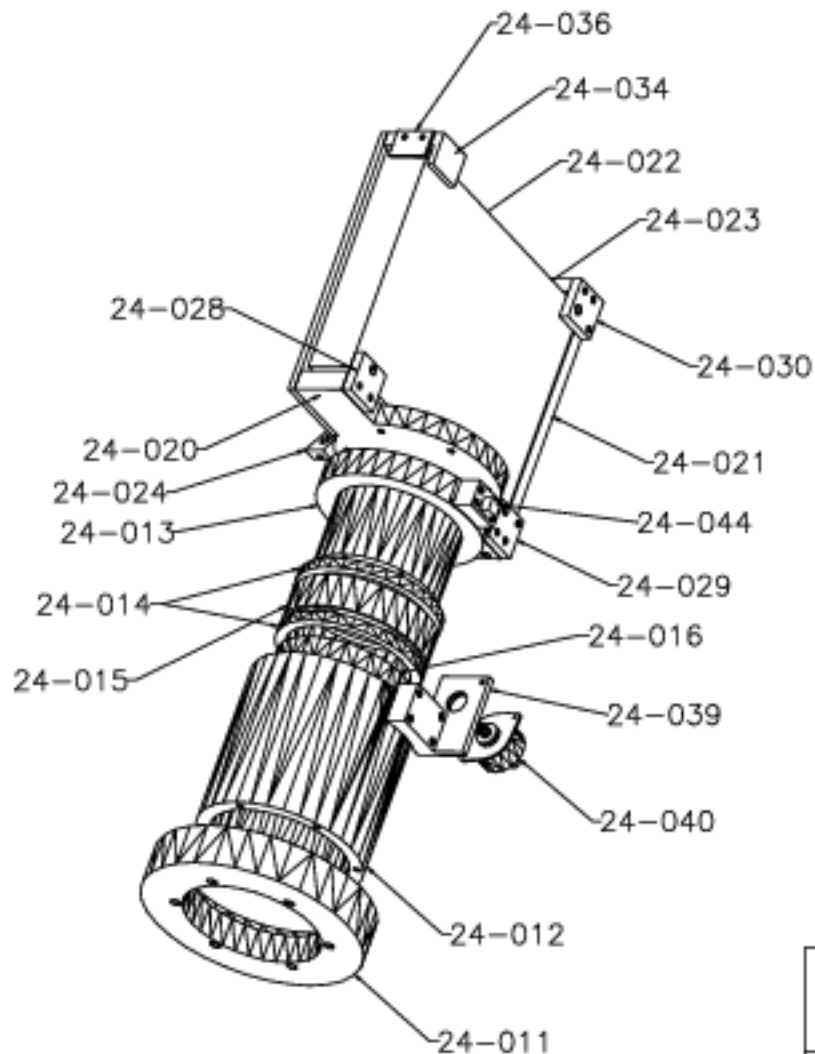
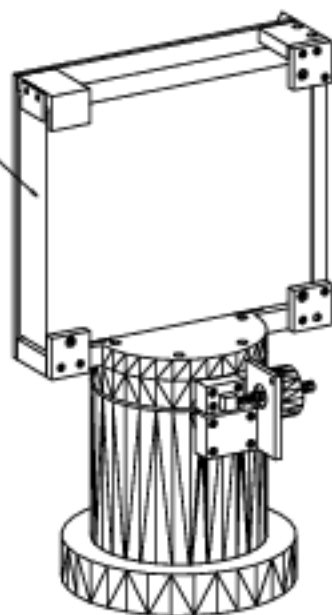


24-001



Mount for Cross-Disp Grating

No.	Qty.	Description
50	1	Extension spring
48	1	Spring-retaining loop
44	1	Push plate
40	1	Linear stepper motor
39	1	Motor mount
36	1	Clip (grating retainer)
34	1	Grating retainer
30	1	Positioning clip, no. 3
29	1	Positioning clip, no. 2
28	1	Positioning clip, no. 1
24	1	Back stiffener
23	1	Standoff
22	1	Back of grating stand
21	1	Side of grating stand
20	1	Base of grating stand
16	1	Bearing retainer
15	1	Bearing spacer
14	2	Bearing (Kaydon KCO45ACO)
13	1	Rotor
12	1	Column (upright)
11	1	Base
1	1	Mirror

Tenn. State Univ.

CASS 2-m AST
Project

04/03/00

J.A.E.

AST-24-A01