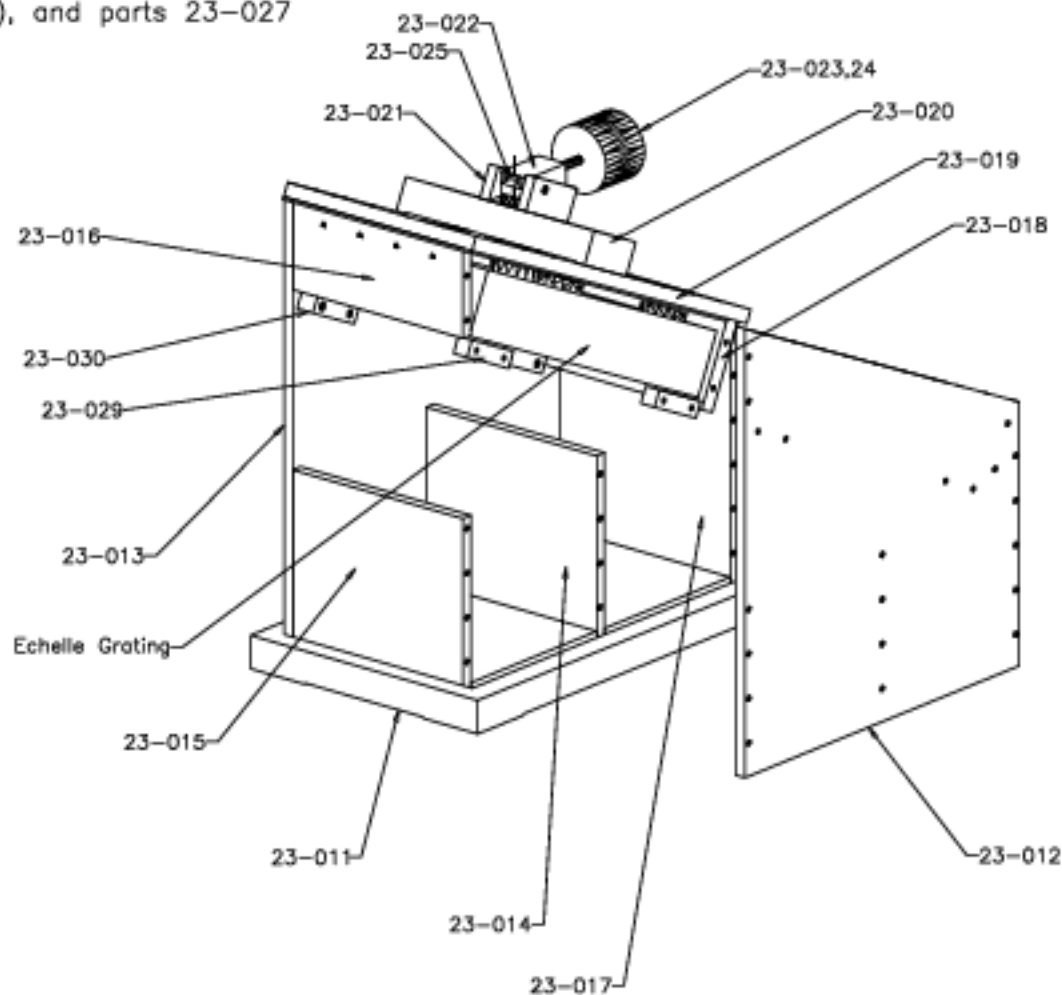


Parts not shown are 3 positioners (22-030) on top, 2 positioners on far side, 1 positioner on back, 3 pucks (22-002), and parts 23-027 and 23-004.



Mount for Echelle Grating

No.	Qty.	Description
28	1	?
27	1	Puck adapter
26	1	Counterweight cable
25	1	Cable retainer
24	1	Counterweight
23	1	Counterweight shaft
22	1	Counterweight body
21	1	Counterweight frame
20	1	Counterweight saddle
19	1	Top plate
18	1	Back lateral frame (upper)
17	1	Back lateral frame (lower)
16	1	Front lateral frame (upper)
15	1	Front lateral frame (lower)
14	1	Interior lateral frame
13	1	Side plate no. 2
12	1	Side plate no. 1
11	1	Base plate
No.	Qty.	Description

Tenn. State Univ.

CASS 2-m AST Project

06/06/00

J.A.E.

AST-23-A01