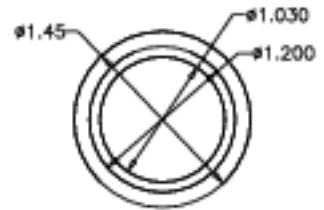
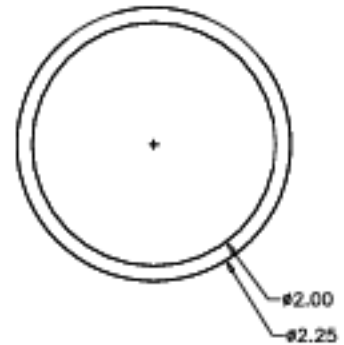


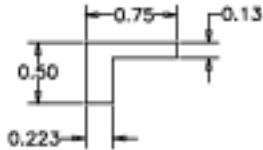
Plastic-make 2



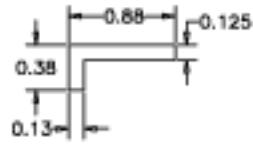
Plastic-make 10



Plastic Sleeve  
make 1



Plastic-make 1



Plastic-make 4