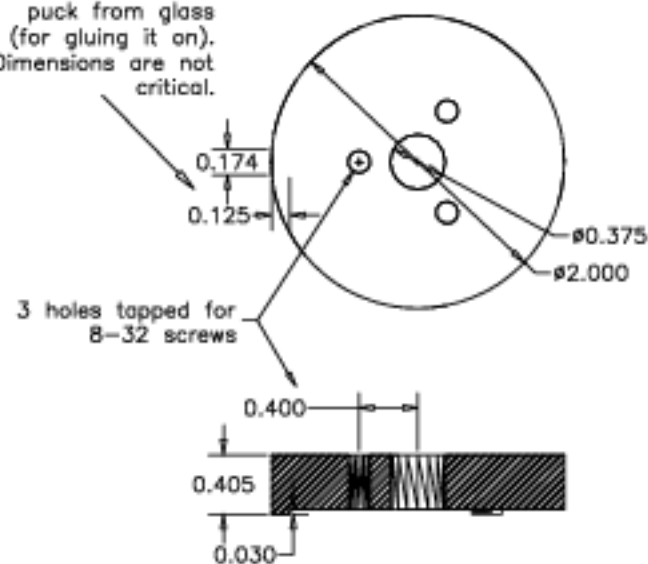
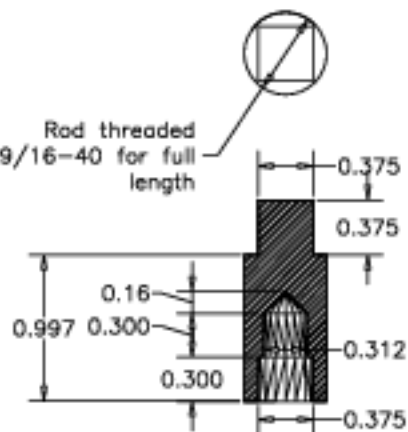


3 feet to offset  
puck from glass  
(for gluing it on).  
Dimensions are not  
critical.

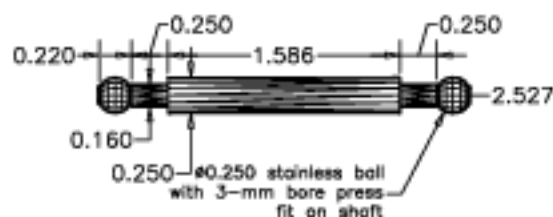


Part 22-002, Puck for  
back of mirror. Invar.  
Make 12.

Rod threaded  
9/16-40 for full  
length



Part 22-035, Adjusting  
Screw. Steel. Make 20.



Part 22-034, Link (push  
rod). 1/4-inch steel  
drill rod. Make 20.