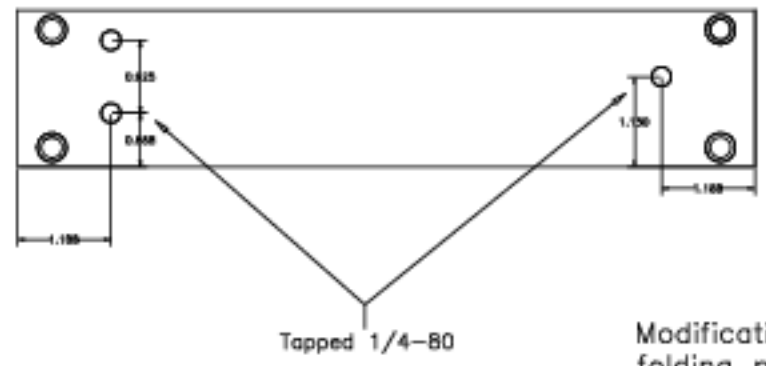
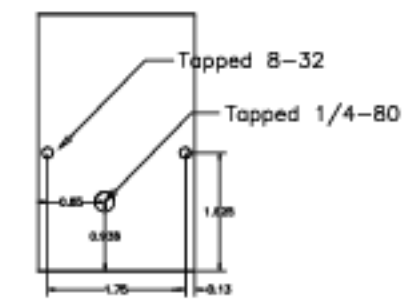
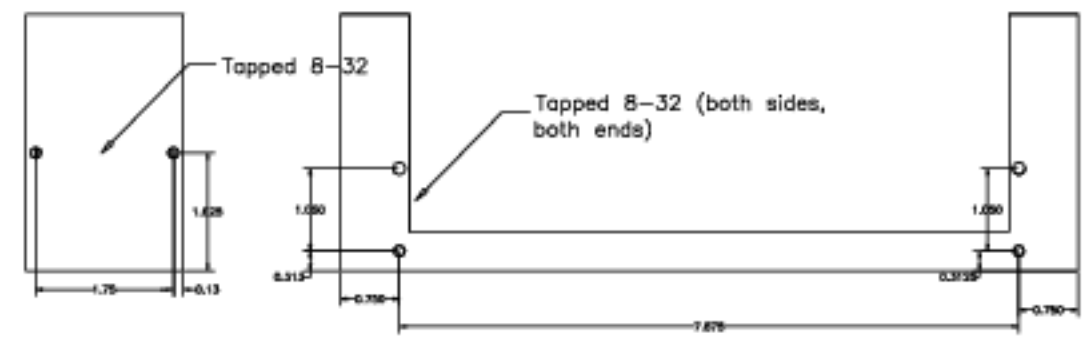


REV	DATE	BY	APP'D

Screw holes in Bridge



Modifications to part 21-030, Bridge for folding mirror. See AST-21-P08 for basic dimensions.

Tenn. State Univ.	
CASS 2-m AST Project	
02/05/01	AST-21-R02
J.A.E.	