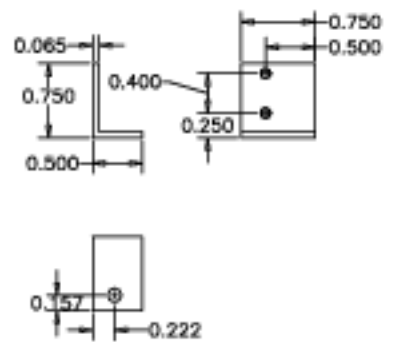
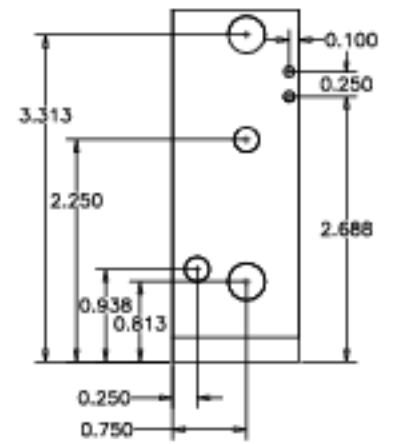


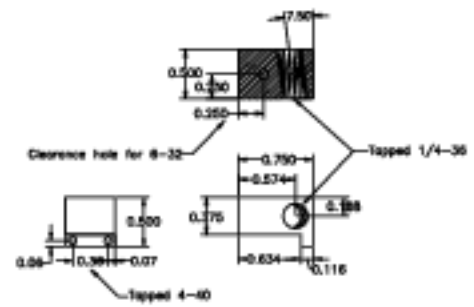
Part 21-041, Slider Body for Feed Low-Dispersion Feed. Aluminum (1 reqd)



Part 21-047, Arm to Attach Motor to Slide (Low-Dispersion Feed). Aluminum (1 reqd)



Part 21-044, Motor Mount for Low-Dispersion Feed. See 21-007 for other dimensions. Aluminum (1 reqd)



Part 21-055, Fiber Positioner for Low-dispersion Feed. Aluminum (1 reqd)