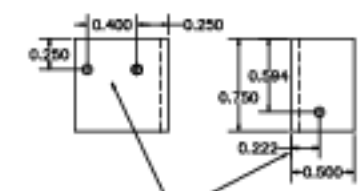
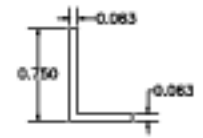
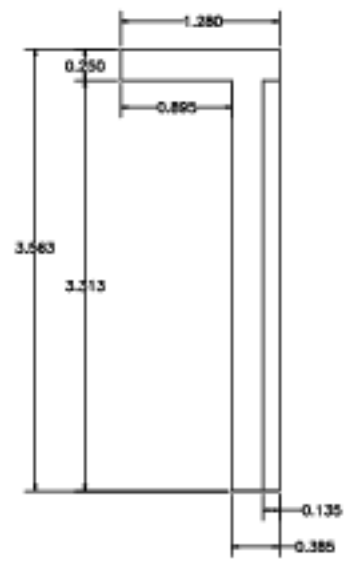


Part 21-007, Motor Mount.
Aluminum (2 reqd, other is
part 21-047)



Clear holes for 4-40
Part 21-010, Arm to attach
motor to slide. Aluminum.
(1 reqd)