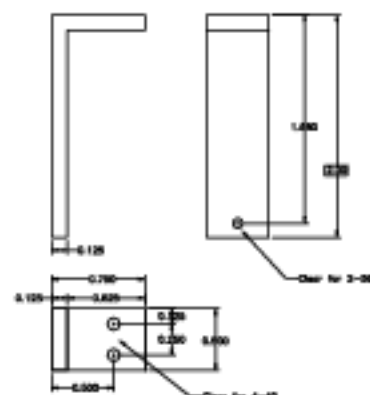


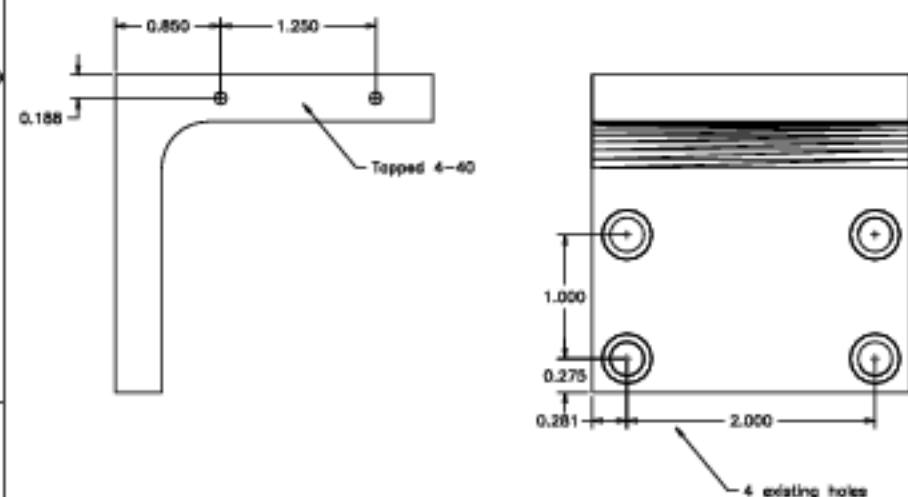
Bracket for Fiber Feed



Part 21-027, Shutter
Bracket (main feed).
Steel. (1 reqd)



Part 21-004, Alignment
Jig (for linear stage).
Aluminum. (1 reqd)



Modification of part 21-003, Bracket. This part is from OptoSigma (123-8170) and must have the holes shown drilled in it.

		Tenn. State Univ.	
		CASS 2-m AST Project	
02/06/01	J.A.E.	AST-21-P04	