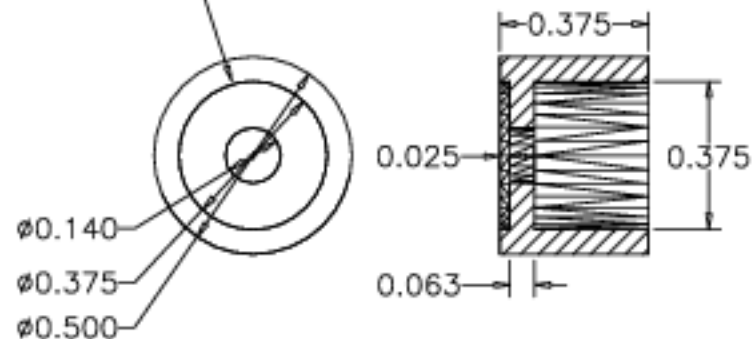


Part 21-018, Threaded Attachment for Fibers, Type 1. Make by modifying part provided. (2 reqd)

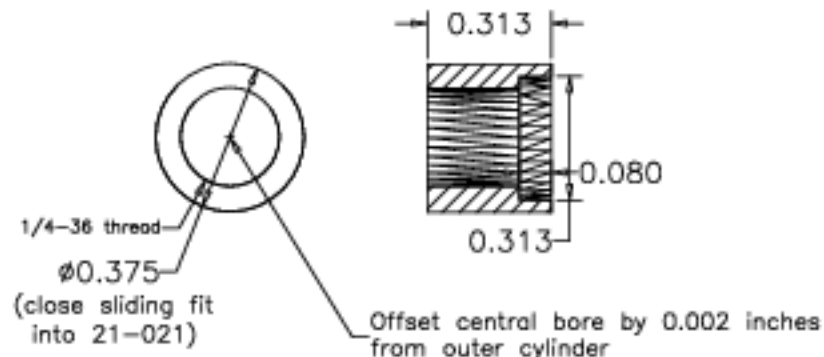


Part 21-019, Threaded Attachment for Fibers, Type 2. Make by modifying part provided. (1 reqd)

See AST-21-R01 for positions of screws to hold slit in place



Part 21-021, Slit Holder (Barrel), Fiber. Make out of aluminum. (2 reqd)



Part 21-024, Eccentric. Make out of bronze. (2 reqd)

Tenn. State Univ.

CASS 2-m AST Project

10/10/00  
J.A.E.

AST-21-P03