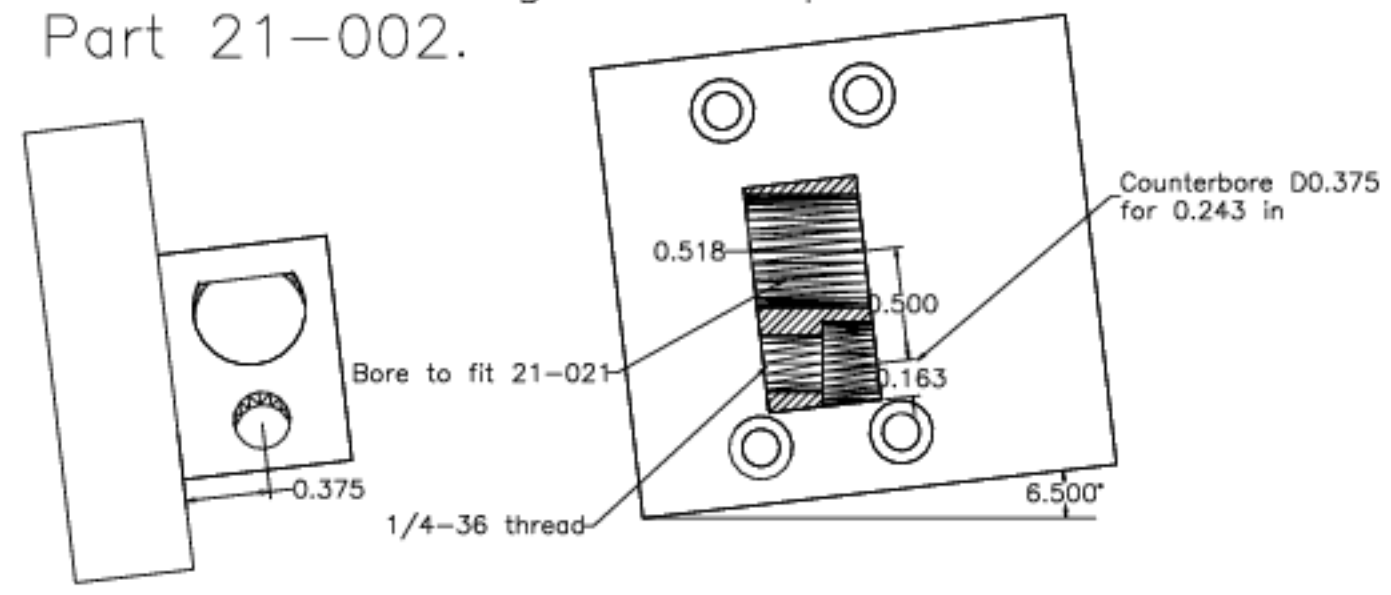


Holes for attaching fiber optics to Part 21-002.



Locations of holes in top of part (tapped 6-32) for set screws to secure fiber adapters.

