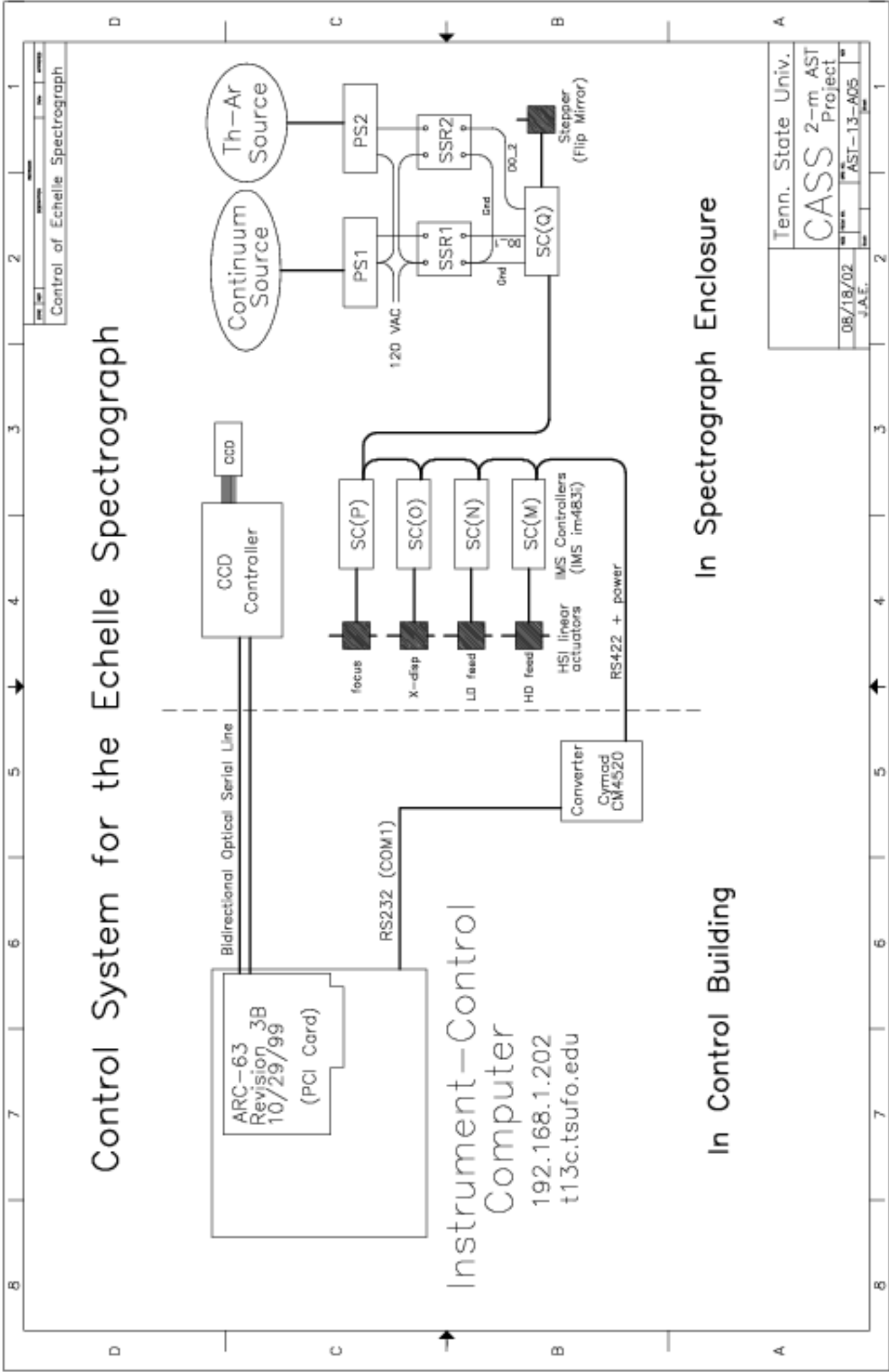


# Control System for the Echelle Spectrograph



In Spectrograph Enclosure

In Control Building

Tenn. State Univ.	
CASS 2-m AST Project	
08/18/02	AST-13-A05
J.A.F.	