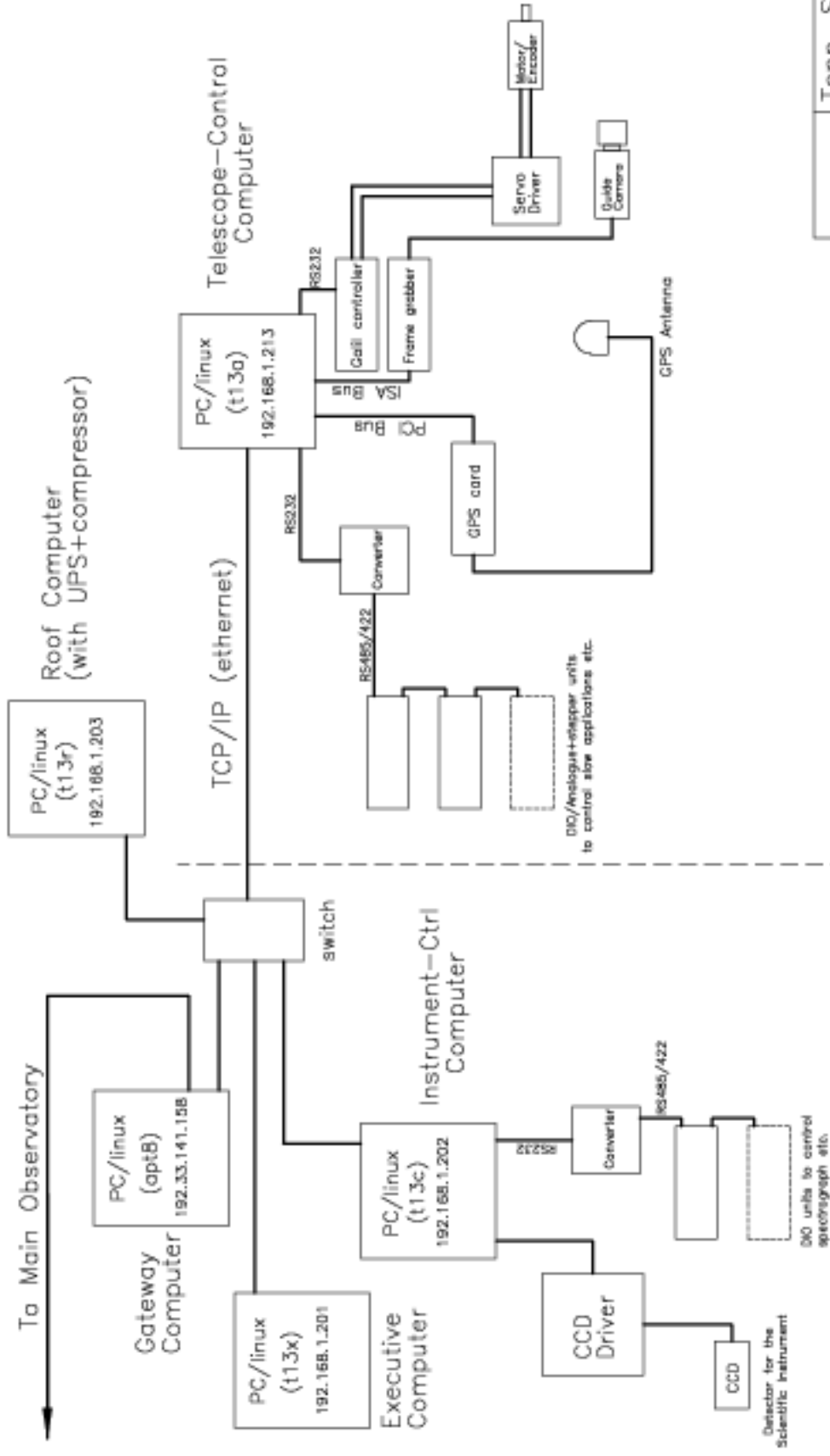


Control System for the 2-m Telescope



In Control Building

On the Telescope