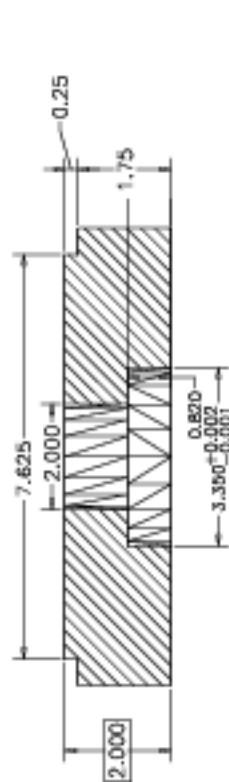
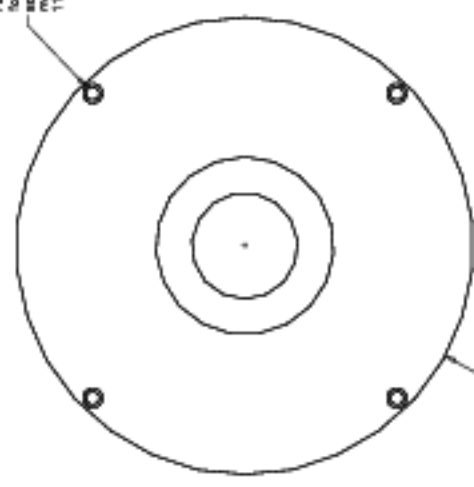


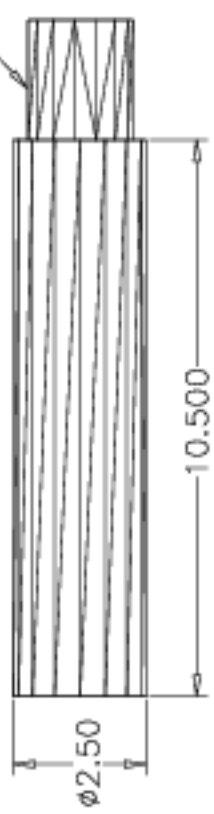
REV	DATE	BY	CHK	APP
Parts for Disaster System, 1				



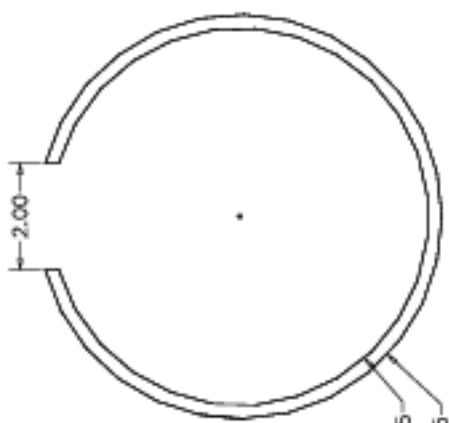
Four holes counterbored 1 inch for 1/4-in socket-head cap screws on 4.000-in pitch. (See note with holes in part 11-264b)



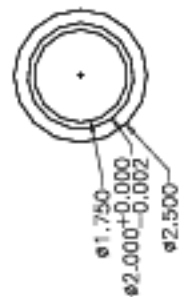
Part 11-265, Cup Base for disaster system. Aluminum. 1 reqd.



Part 11-262, Base Column for disaster system. Modify existing part that screws into part 11-261.



Part 11-264b, Cup (Retainer). Aluminum. 1 reqd.



Part 1-26B, Axle for disaster system. Steel. One reqd.

Tenn. State Univ.	
CASS 2-m AST Project	
07/22/02	AST-11-P12
J.A.E.	