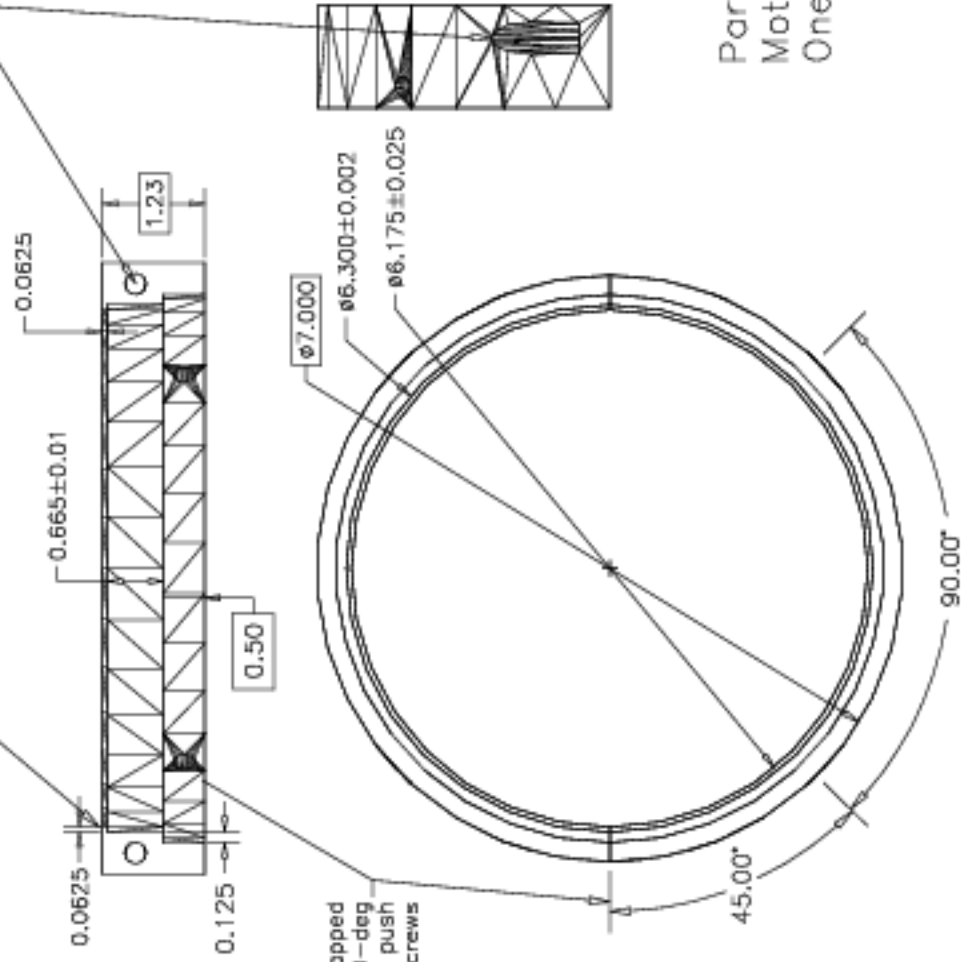


DATE	REV	BY	CHK	APP
Tool for Aligning Motors				

Provide 10-32 screw holes
hold ring together once it's split.

1/16-in lip for aligning part



Four holes, tapped
10-32 90-deg
apart, for push
screws

Part 10-190, Tool for Centering
Motor on Flange. Aluminum.
One reqd.

Tenn. State Univ.	
CASS 2-m AST Project	
07/19/02	AST-10-P35
J.A.E.	