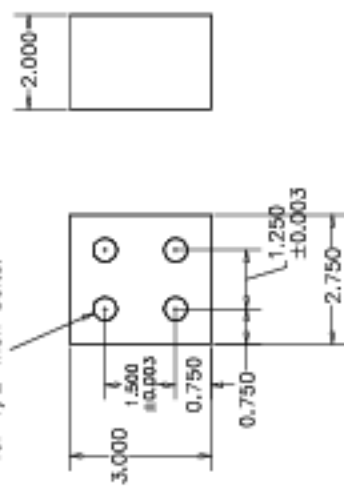
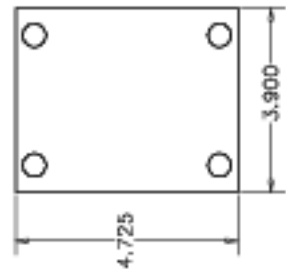


Azimuth Track Hardware, 1

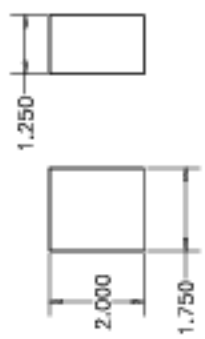
Four clearance holes for 1/2-inch bolts.



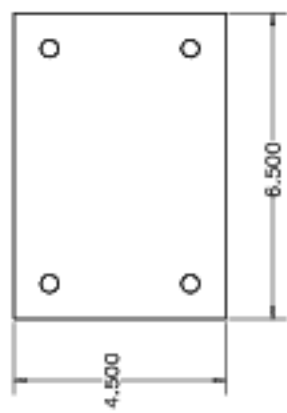
Part 10-096, Azimuth Hard Stop. Make of steel. Tolerances are ± 0.01 inches on all dimensions except the relative placement of the four bolt holes. (2 reqd)



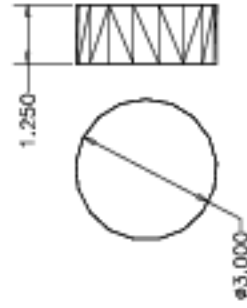
Part 10-093, Shuttle-Puck Base. Make of 1/2-in steel sheet. See drawing AST-10-R06 for machining of the four bolt holes shown. (1 reqd)



Part 10-094, Shuttle-Puck Upright. Make of steel. (1 reqd)



Part 10-090, Shuttle-Drive Base. Make of 1/2-in aluminum sheet. See drawing AST-10-R06 for machining of the 4 bolt holes shown. (1 reqd)



Part 10-091, Shuttle-Drive Upright. Make of aluminum rod. (1 reqd)

Tenn. State Univ.	
CASS 2-m AST Project	
07/08/97	AST-10-P16
J.A.E.	