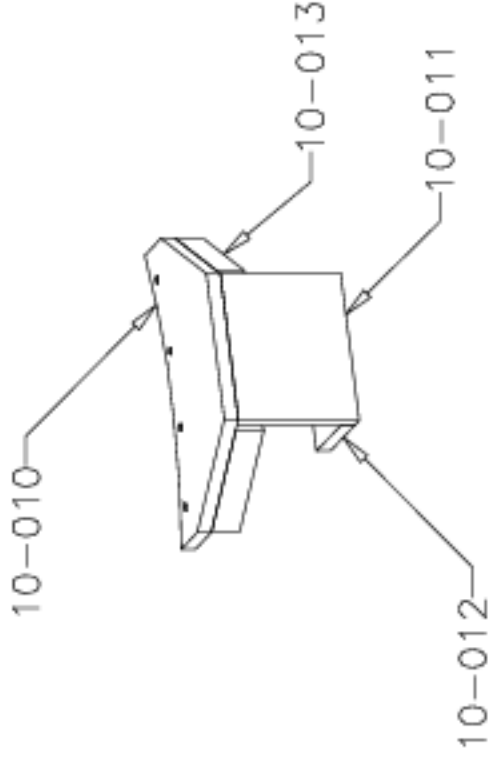
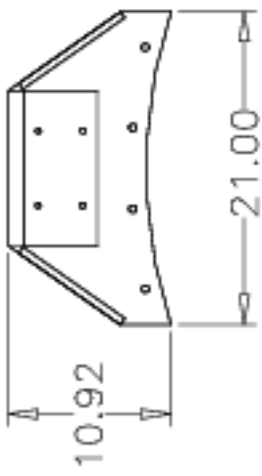
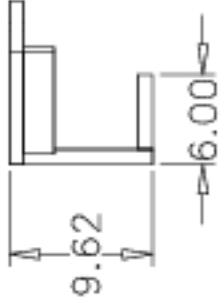


Azimuth Slider/Brake Atchmt.

Note: Two of these Azimuth Slider/Brake Attachments are required for the telescope. Parts are given in AST-10-P03 and machining is given in AST-10-R04.



No.	Qty.	Description
18	4	3/8-16x1.25 set hd cap screw (stainless)
8	1	Cam Follower (#1.5) (bought by TSU)
17	1	Safety-Clamp Attachment (no. 2) see AST-10-P15
15	8	3/8-16x2 cap screws
14	4	1/2-13x2.25 cap screws
13	2	Stiffener
12	1	Shelf
11	1	Upright
10	1	Base plate

No.	Qty.	Description
Tenn. State Univ.		
CASS 2-m AST Project		
03/20/97	J.A.E.	AST-10-A03