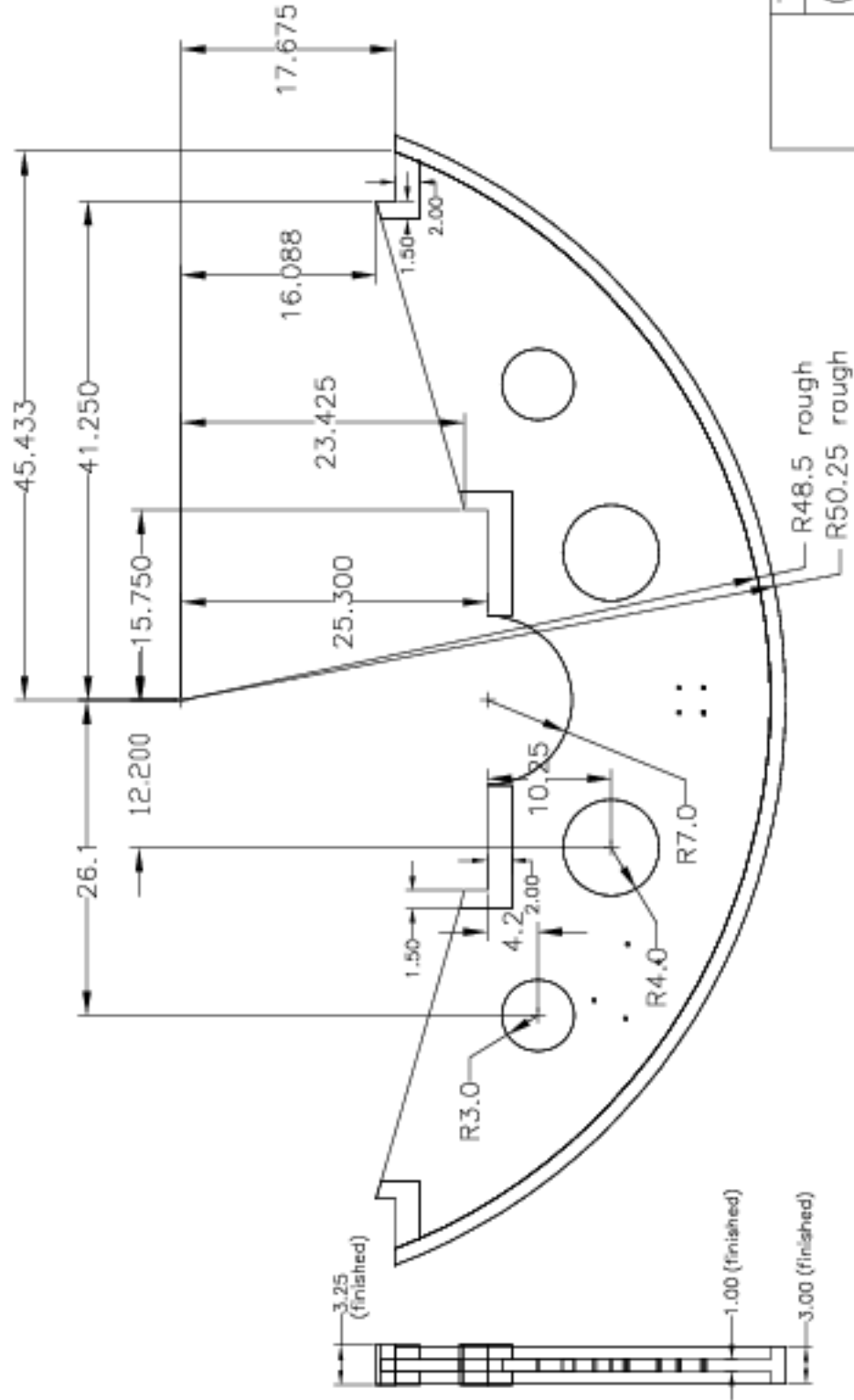


Part 9-004, New version of Vertical Plate.
 3.5-inch aluminum plate (AISI 7075-T4).
 Dimensions are with respect to the center
 of curvature of the bottom edge, essentially
 datum C in drawing AST-05-R11. (1 reqd)



Altitude Drive Parts, 2

Tenn. State Univ.	
CASS 2-m AST Project	
02/19/98	AST-09-P02
J.A.E.	