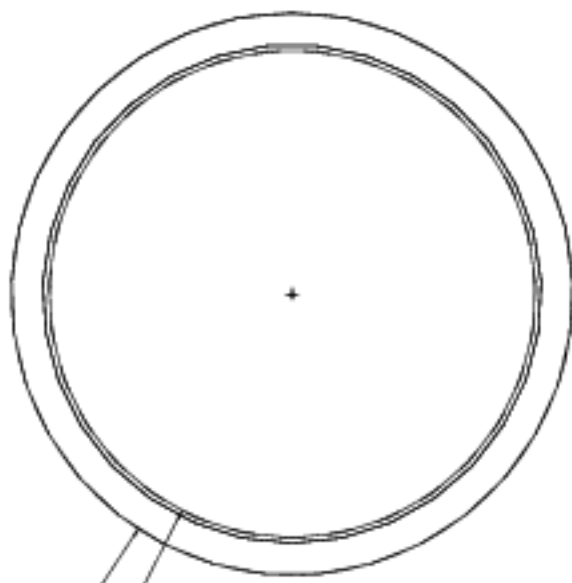
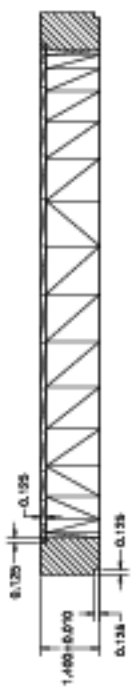
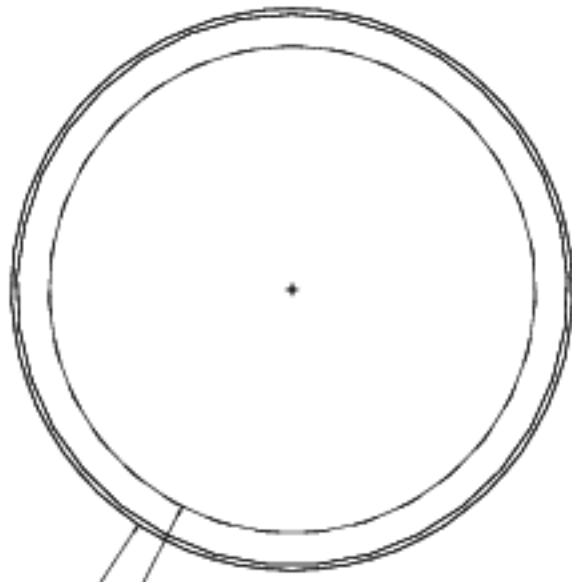


Shims for Top End

REV	DATE	BY	CHK	APP'D



Part 7-020a, Shim for Secondary Mirror Cell (used with the glass mirror). Aluminum. One reqd.



Part 7-020b, Shim for Secondary Mirror Cell (used with the aluminum mirror). Aluminum. One reqd.

Tenn. State Univ.	
CASS 2-m AST Project	
07/18/02	AST-07-P22
J.A.E.	