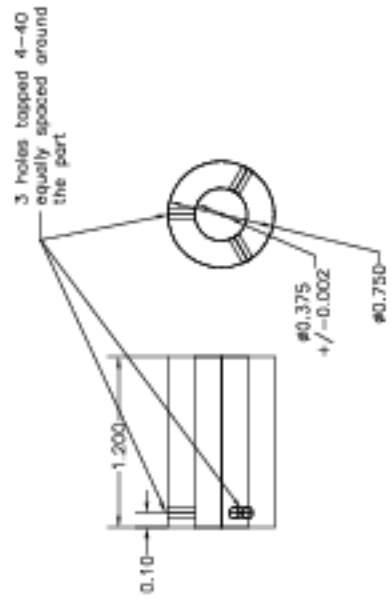
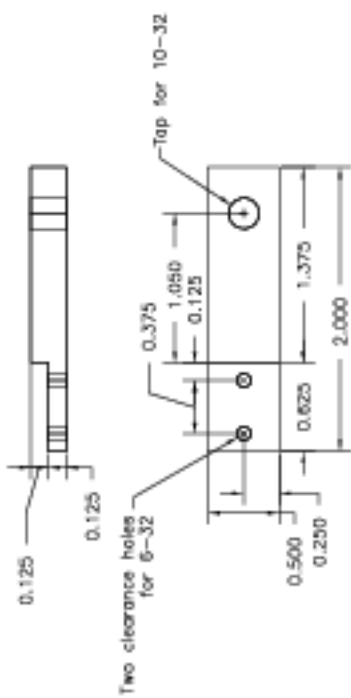


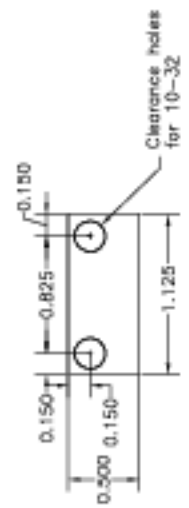
Misc. Parts for Secondary Cell



Part 7-069, Hard-point/spacer. Make of 3/4-inch aluminum bar. (3 reqd)



Part 7-058, Limit-switch actuator. Make of 1/4-inch aluminum. (3 reqd)



Part 7-050b, Lever-base keeper. Make of 1/2x1/8-inch aluminum strap. (3 reqd)

Tenn. State Univ.	
CASS 2-m AST Project	
06/24/98	AST-07-P18
J.A.E.	