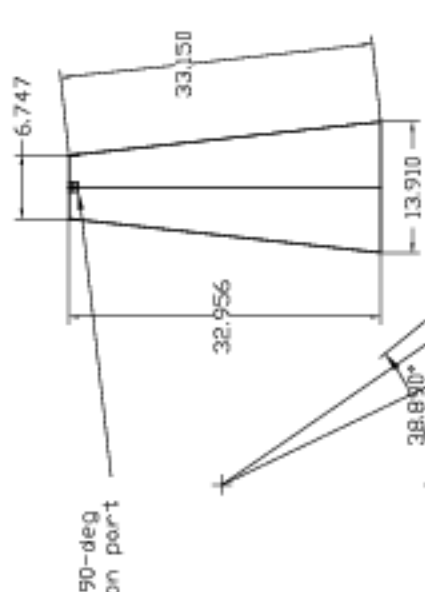
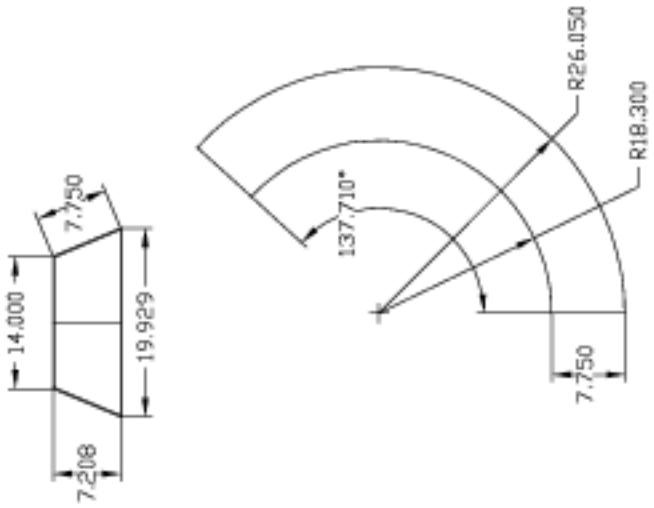
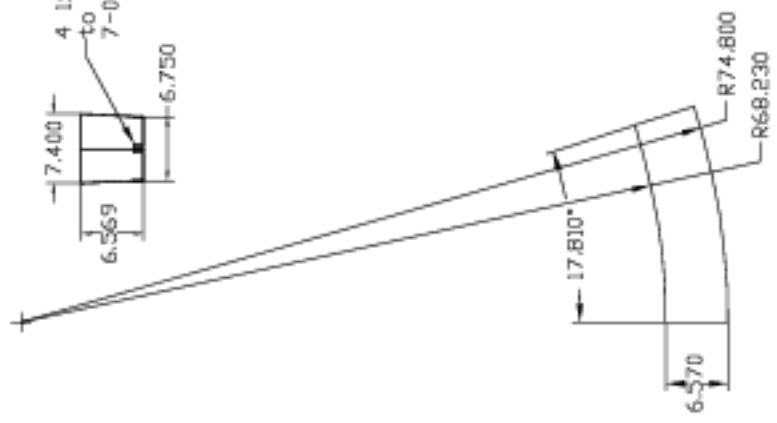
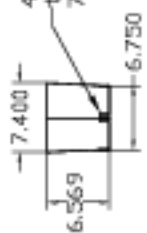


Baffles



4 1x1 holes at 90-deg to clear tabs on part 7-007



Tenn. State Univ.	
CASS 2-m AST Project	
02/06/97	AST-07-P05
J.A.E.	