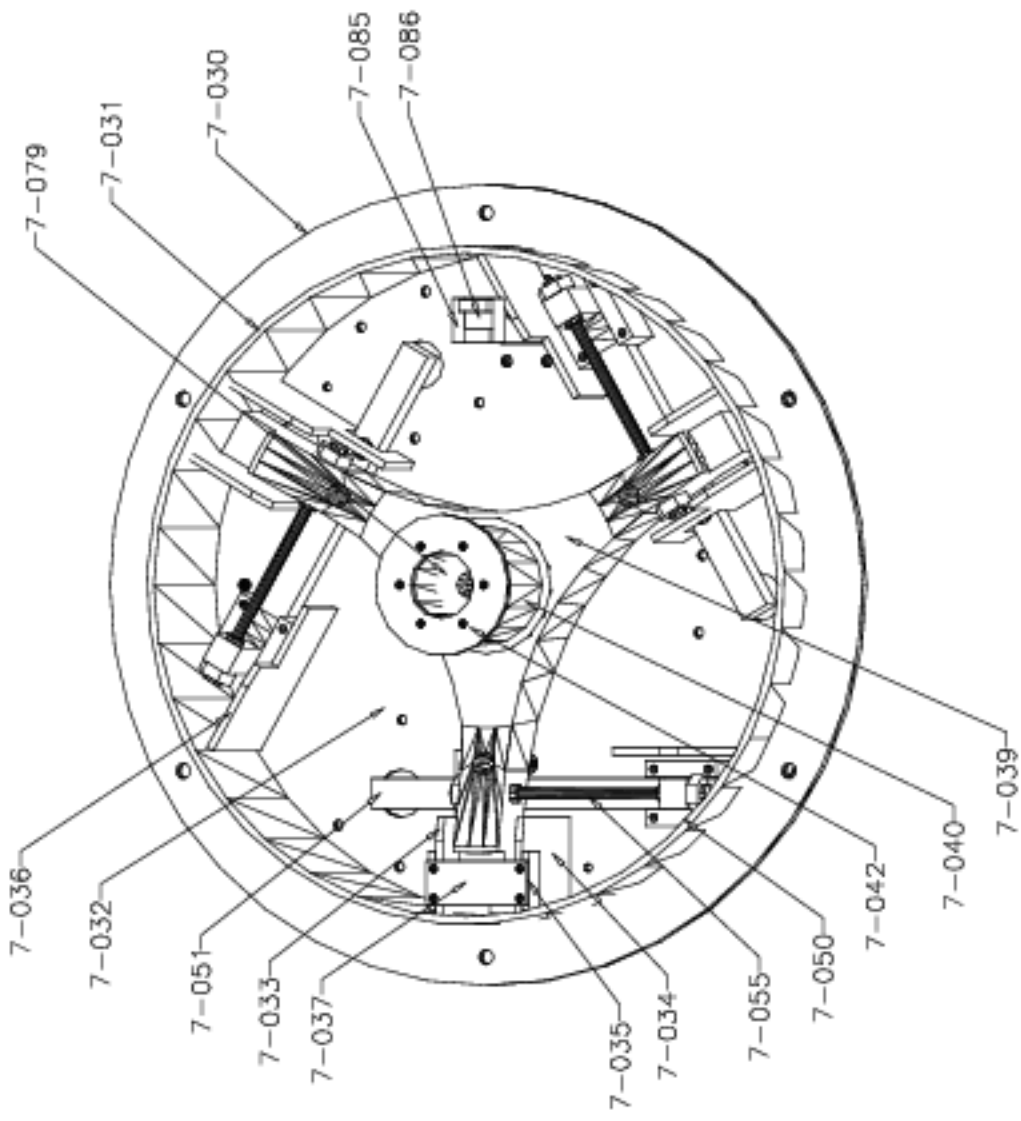


Secondary Mirror Cell, Front View

No.	Qty.	Description
86	1	Radial-counterweight body
85	1	Radial-counterweight holder
55	3	Flexure (see AST-07-P16)
54	12	8-32x3/4 socket head cap screws (aluminum)
53	12	4-40x1/4 set screw (to retain flex pivots-stainless)
52	6	Lucas flexural pivot (1/8-in type 5004-400)
51	3	Flexure lever
50	3	Flexure-lever holder
43	6	6-32x1/2 socket head cap screws (aluminum)
42	1	Mirror retaining ring
41	6	1/4-20x3 socket head cap screws (stainless)
40	1	Mirror hub
39	1	Mirror hanger
38	6	6-32x1/2 cap screw (ss)
37	3	Axial retainer/hard point
36	3	Flexure attachment stiffener
35	6	Hard-point-attachment thickener
34	3	Motor attachment stiffener, type 2
33	3	Motor attachment stiffener, type 1
32	1	Mirror-cell back plate
31	1	Mirror-cell wall cylinder
30	1	Mirror-cell mounting flange

Tenn. State Univ.  
 CASS 2-m AST Project  
 02/11/98  
 J.A.E. AST-07-A03



Secondary Mirror Cell, Front View

No.	Qty.	Description
86	1	Radial-counterweight body
85	1	Radial-counterweight holder
55	3	Flexure (see AST-07-P16)
54	12	8-32x3/4 socket head cap screws (aluminum)
53	12	4-40x1/4 set screw (to retain flex pivots-stainless)
52	6	Lucas flexural pivot (1/8-in type 5004-400)
51	3	Flexure lever
50	3	Flexure-lever holder
43	6	6-32x1/2 socket head cap screws (aluminum)
42	1	Mirror retaining ring
41	6	1/4-20x3 socket head cap screws (stainless)
40	1	Mirror hub
39	1	Mirror hanger
38	6	6-32x1/2 cap screw (ss)
37	3	Axial retainer/hard point
36	3	Flexure attachment stiffener
35	6	Hard-point-attachment thickener
34	3	Motor attachment stiffener, type 2
33	3	Motor attachment stiffener, type 1
32	1	Mirror-cell back plate
31	1	Mirror-cell wall cylinder
30	1	Mirror-cell mounting flange

Tenn. State Univ.  
 CASS 2-m AST Project  
 02/11/98  
 J.A.E. AST-07-A03