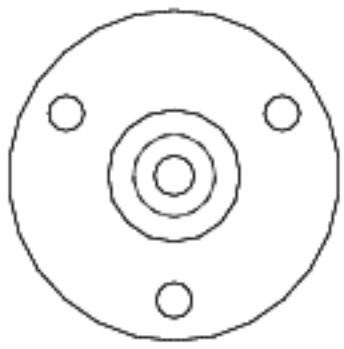
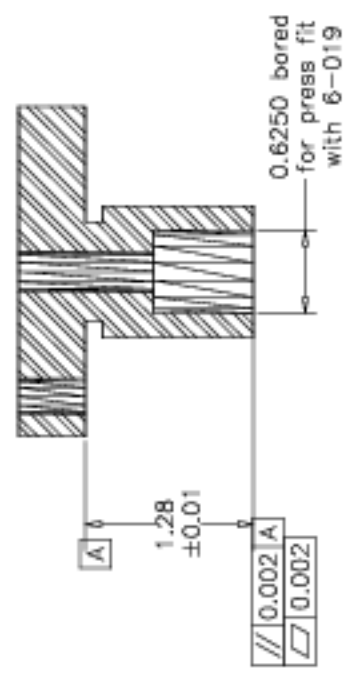
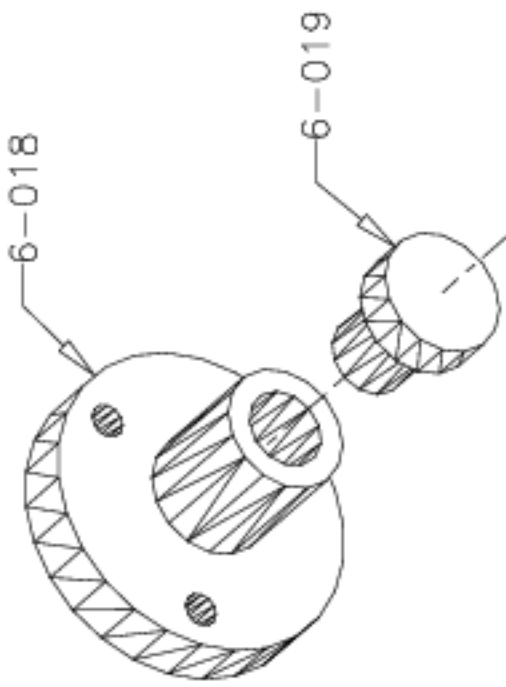


Modification of Standoff



Modification of standoffs for axial hard points. Face existing parts parallel to base and bore for interference fit with Carr-Lane rest buttons as indicated. (3 reqd)

Tenn. State Univ.	
CASS 2-m AST Project	
05/06/97	AST-06-R01
J.A.E.	