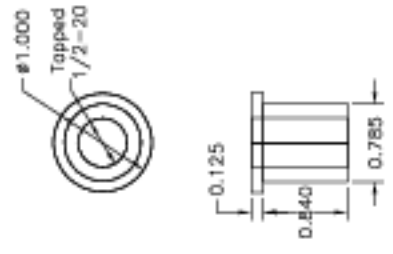
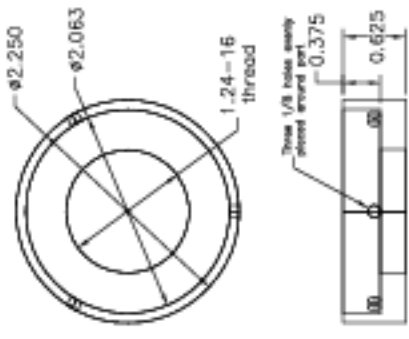
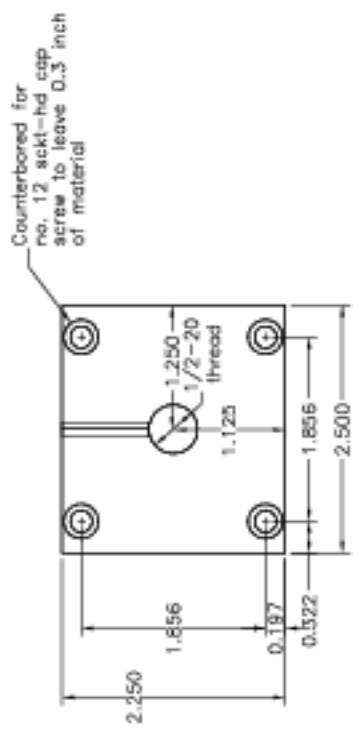
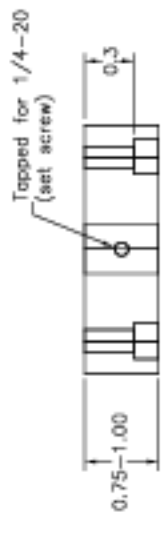


Parts for Redesigned Hard Point



Tenn. State Univ.	
CASS 2-m AST Project	
14/08/00	AST-06-P13
J.A.E.	